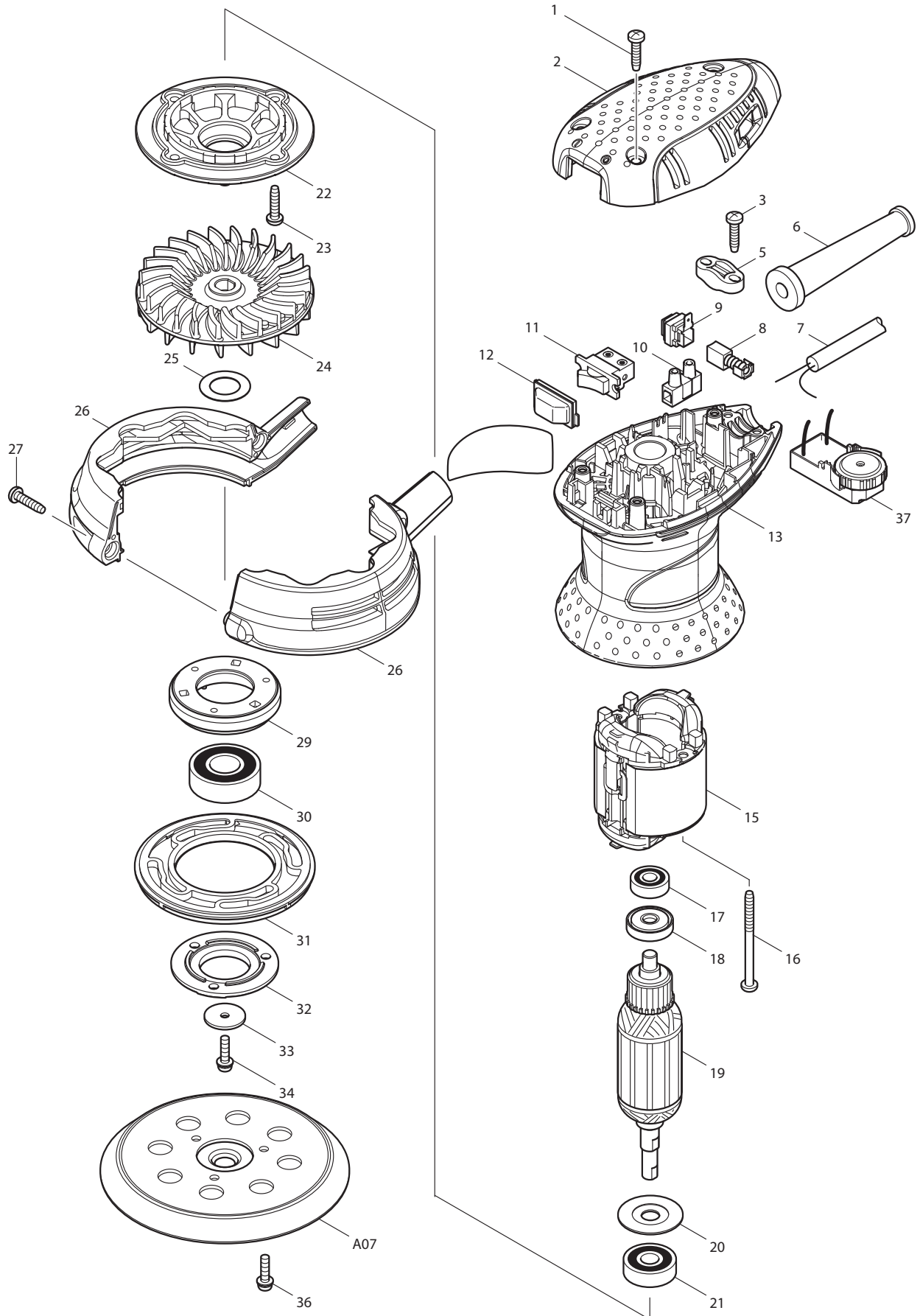




09 - 2010

BO5031K

5" RANDOM ORBIT SANDER



Item No	Type	Ref	Part No	Description	Qty	Unit
1			265995-6	TAPPING SCREW 4X18	3	PC.
2			450810-9	TOP COVER	1	PC.
3			265995-6	TAPPING SCREW 4X18	2	PC.
5			687063-9	STRAIN RELIEF	1	PC.
6			682502-4	CORD GUARD 8-85	1	PC.
7			660002-4	CORD WITH PLUG 2P-18-2.0M	1	PC.
8	1		191927-6	CARBON BRUSH CB-407 2PC/SET, W/O ORIGIN - N/L/A	1	SET
	2		195007-0	CARBON BRUSH CB-407 2PC/SET, W/O ORIGIN	1	SET
9			643995-0	BRUSH HOLDER	2	PC.
10			654532-5	TERMINAL BLOCK 1P	1	PC.
11			651527-9	SWITCH	1	PC.
12			424039-3	SWITCH COVER	1	PC.
13			450809-4	MOTOR HOUSING	1	PC.
15			633671-4	FIELD 115V	1	PC.
16			266147-2	TAPPING SCREW 4X55	2	PC.
17			210017-7	BALL BEARING 607DDW	1	PC.
18			681652-2	INSULATION WASHER	1	PC.
19			515731-3	ARMATURE ASS'Y 115V	1	PC.
		INC.		Item No. 17, 18, 20, 21	1	PC.
20			267806-1	WASHER 9	1	PC.
21			211092-6	BALL BEARING 629DDW	1	PC.
22			450672-5	BRACKET	1	PC.
23			265995-6	TAPPING SCREW 4X18	4	PC.
24			241673-2	FAN 88	1	PC.
25			267164-5	FLAT WASHER 15	1	PC.
26			188579-2	SKIRT L/R SET	1	SET
27			265995-6	TAPPING SCREW 4X18	2	PC.
29			318304-9	BEARING BOX	1	PC.
30			211228-7	BALL BEARING 6202DDW	1	PC.
31			424131-5	BRAKE RING	1	PC.
32			318303-1	BEARING BOX COVER	1	PC.
33			253739-6	FLAT WASHER 4	1	PC.
34			911128-8	PAN HEAD SCREW M4X16	1	PC.
36			911128-8	PAN HEAD SCREW M4X16	3	PC.
37			631831-2	CONTROLLER	1	PC.
100			654069-2	RECEPTACLE	2	PC.
101			654562-6	CLOSED END SPLICE (INSULATED CONNECTOR 2-SD 35115) (BTW:Field and Controller)	1	PC.

ACCESSORIES

- See catalogue or visit www.makita.ca for more optional accessories -

A01			166078-4	DUST BAG	1	PC.
A02			257202-1	RING 25	1	PC.
A03			416063-0	DUST BAG NOZZLE	1	PC.
A04			416064-8	DUST NOZZLE	1	PC.
A05			794520-1	5"HOOK&LOOP ABRASIVE DISC 120G 5PC/SET	1	PC.
A06	1		183782-0	PLASTIC CARRYING CASE	1	PC.
		INC.	416400-0A	LATCH	2	PC.
		INC.	819144-3	MAKITA LOGO LABEL (OLD)	1	PC.
	2		824562-2	PLASTIC CARRYING CASE	1	PC.
		INC.	416400-0A	LATCH	2	PC.
	3		824562-2	PLASTIC CARRYING CASE	1	PC.
		INC.	416661-0	LATCH	2	PC.
A07			743081-8	PAD 123 (HOOK & LOOP)	1	PC.

Item No	Type	Ref	Part No	Description	Qty	Unit
A08			135222-4	DUST BAG ASSY	1	PC.
		INC.		Item No. A01-A04	1	PC.
A09			135246-0	DUST BOX ASSY	1	PC.
A10			194746-9	PAPER DUST BAG 5PC/SET	1	SET
A11			195133-5	FILTER DUST BAG 5PC/SET	1	SET
A12	1		794559-4	FELT PAD 125 SET (Thickness 10 mm)	1	PC.
	2		196152-4	FELT PAD SET (Thickness 6 mm)	1	PC.